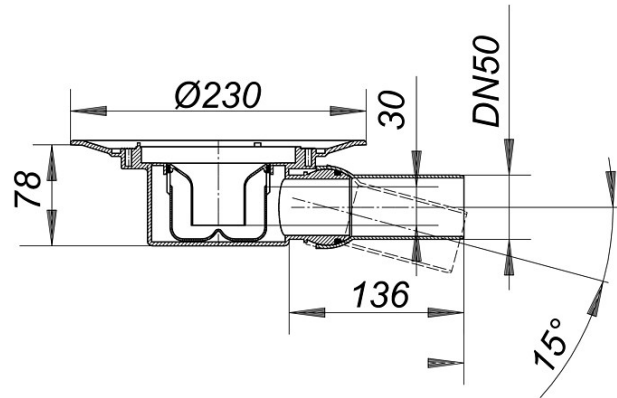


01. November 2017

DALLMER**floor drain body type 42 S, without inlet, DN 50**

Product Number: **420060**
 EAN: 4001636420060
 Discount group: 3



outlet DN 50 horizontal, with ball-joint, adjustable 0 – 15 degrees

specification:

- removable trap insert, 30 mm water seal
- temporary blanking plate

material:

polypropylene

without side inlet

The outlet connector can be supplied in ABS to suit British Standard sizes and PE-HD conforming to DIN EN 1519. Please enquire.

Flow rate tested to DIN EN 1253 Tab. 3,
 (with 20 mm water over cover plate), conforming to DIN EN 274

	Norm	DALLMER
DN 50	0.4 l/s	0.62 l/s