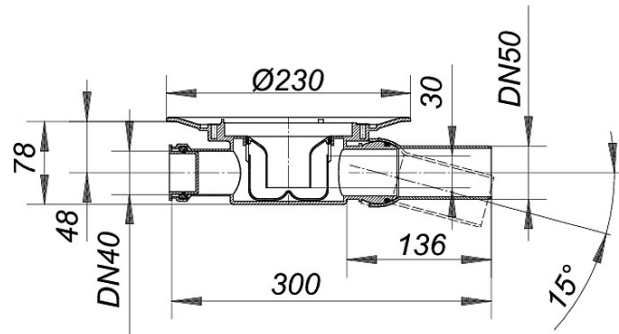


floor drain body type 42 S

Product Number: **420022**
EAN: 4001636420022
Discount group: 3



Specification clause

outlet:
DN 50 horizontal with ball-joint, adjustable 0-15°

with:
- side inlet DN 40
- trap insert removable for cleaning
- temporary blanking plate

material:
polypropylene