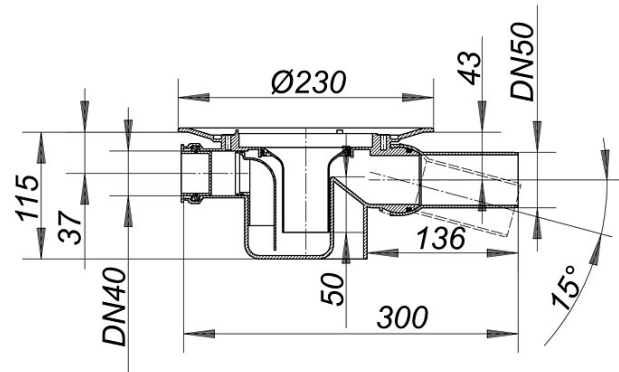


01. November 2017

DALLMER**floor drain body type 46 S, inlet DN 40, DN 50**

Product Number: **460059**
 EAN: 4001636460059
 Discount group: 3



conforming to DIN EN 1253
 outlet DN 50 horizontal, with ball-joint, adjustable 0 – 15 degrees

specification:

- DN 40 side inlet
- removable trap insert, 50 mm water seal
- temporary blanking plate

material:

polypropylene

The outlet connector can be supplied in ABS to suit British Standard sizes and PE-HD conforming to DIN EN 1519. Please enquire.

Flow rate tested to DIN EN 1253
 (with 20 mm water over grate)

	Norm	DALLMER
DN 50	0.8 l/s	0.81 l/s