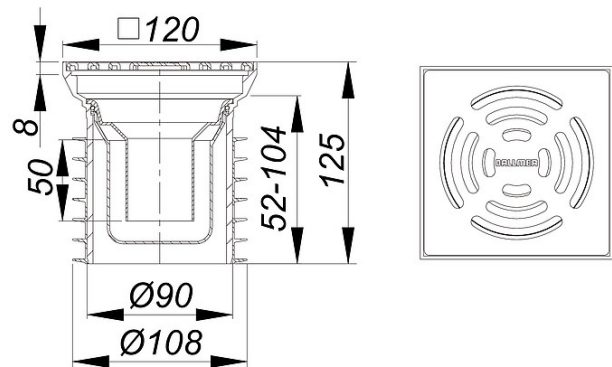


01. November 2017

**DALLMER****floor drain PRONTO K, DN 100, 120 x 120 mm**

Product Number: **700360**  
 EAN: 4001636700360  
 Discount group: 3



pushes into a pipe, for floor constructions without a waterproofing membrane

specification:

- trap insert removable for cleaning, 50 mm water seal
- flexible sealing ribs

material:

polypropylene/rubber/TPE  
 frame polypropylene, 120 x 120 mm

grate 304 stainless steel, 115 x 115 mm, load class K 3 (300 kg)

Flow rate tested to DIN EN 1253 Tab. 3,  
 (with 20 mm water over cover plate), conforming to DIN EN 274

	Norm	DALLMER
DN 100	0.4 l/s	0.82 l/s