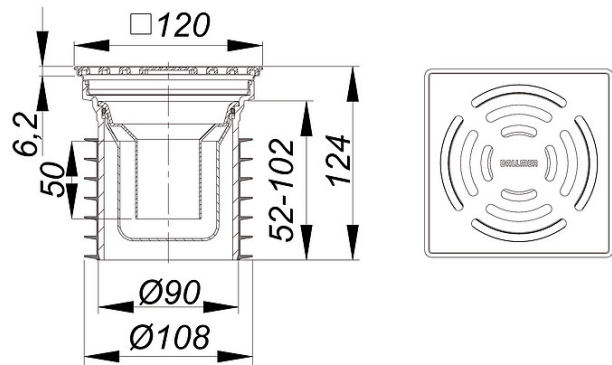


01. November 2017

DALLMER**floor drain PRONTO, DN 100, 120 x 120 mm**

Product Number: **700063**
 EAN: 4001636700063
 Discount group: 3



conforming to DIN EN 1253
 pushes into a pipe, for floor constructions without a waterproofing membrane

specification:

- trap insert removable for cleaning, 50 mm water seal
- flexible sealing ribs

material:

polypropylene/rubber/TPE
 frame 304 stainless steel, 120 x 120 mm
 grate 304 stainless steel, 115 x 115 mm, load class K 3 (300 kg)

The trap assembly can be easily removed and the fitting used for rodding access.

Flow rate tested to DIN EN 1253 Tab. 3,
 (with 20 mm water over cover plate), conforming to DIN EN 274

	Norm	DALLMER
DN 100	0.4 l/s	0.8 l/s