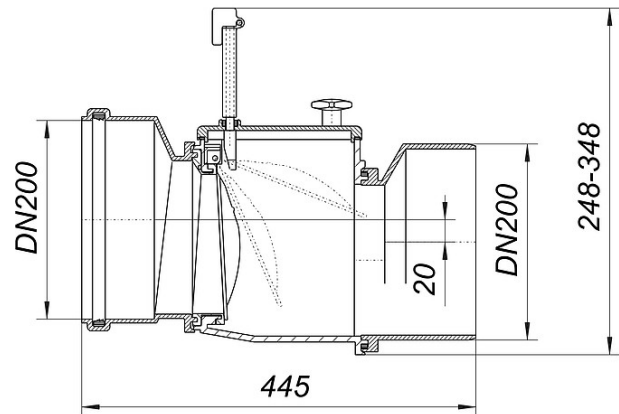
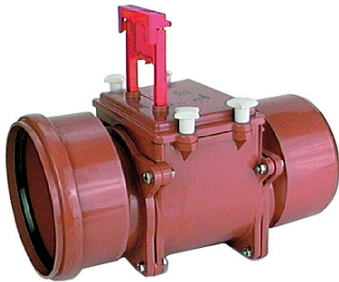


02. November 2017

## anti-flooding valve Stausafe H, DN 200

Product Number: **660107**  
EAN: 4001636660107  
Discount group: 3



for use with rain water systems

specification:

- self-closing stainless steel flap
- manually operated lock
- stainless steel pivots
- easy to maintain ABS housing
- inspection cover with wingnuts can be opened for maintenance without tools