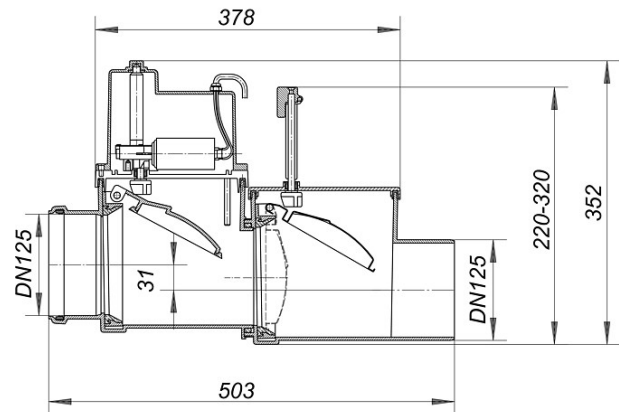
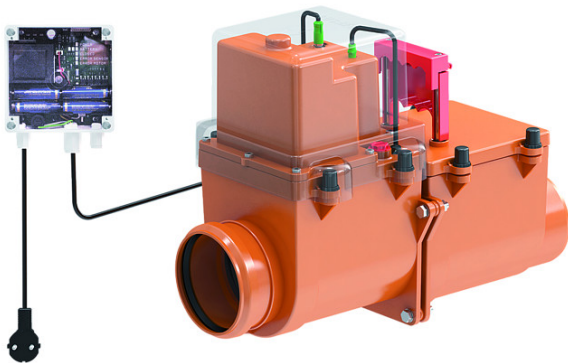


02. November 2017

DALLMER**anti-flooding valve Stausafe F, DN 125**

Product Number: **661586**
 EAN: 4001636661586
 Discount group: 3



according to EN 13564 type 3 (F)
 operation conforms to DIN 1986-100:2002-03 for use with faecal waste water

specification:

- electronic flood sensor
- flap with electrically operated lock
- secondary stainless steel flap with manual lock
- stainless steel pivots
- sealed compartment for motor
- emergency power by batteries
- test-port
- easy-to-install ABS housing
- inspection cover with wingnuts can be opened for maintenance without tools
- electronic controls in box for on-wall mounting with warning lamp/ buzzer can be used with central building control systems.

flaps: 316Ti stainless steel/HDPE

power supply: 230 V/0,5 A

connection cable: 6 m, PUR, 5 x 0.75 mm² *

motor supply: 12 V low voltage

emergency power: batteries, max. 6 days

sensor: coaxial electrode

sealing force: 500 newtons

closing time: approx 9 seconds

The motorized flap and its related components can be supplied separately, to convert a type RS valve to type F specification, parts 664402/664426.