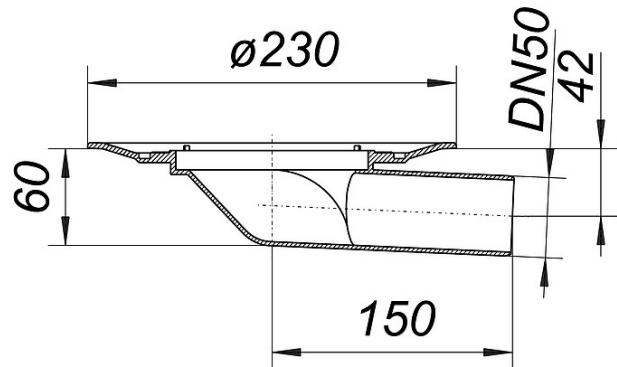


01. November 2017

balcony drain body type 83, DN 50

Product Number: **830029**
EAN: 4001636830029
Discount group: 3



conforming to DIN EN 1253

specification :

- side outlet, 3 degrees
- temporary blanking plate

material:

polypropylene, UV-stabilized