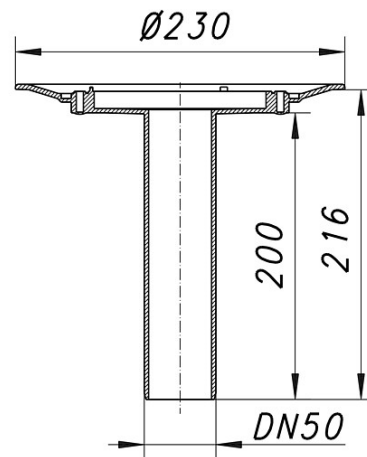


01. November 2017

balcony drain body type 84, DN 50

Product Number: **831026**
EAN: 4001636831026
Discount group: 3



conforming to DIN EN 1253

specification:
- vertical outlet
- temporary blanking plate

material:
polypropylene, UV-stabilized