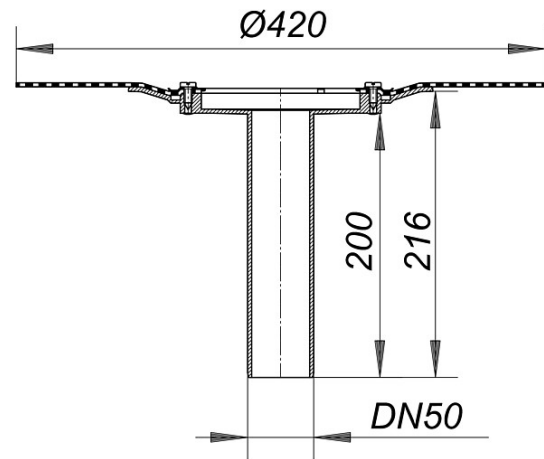


01. November 2017

DALLMER

balcony drain body type 84 DallBit, DN 50

Product Number: **832122**
EAN: 4001636832122
Discount group: 3



conforming to DIN EN 1253
with d: 420 mm collar of 5.0 mm thick bituminous membrane, welded to the flange and fitted with stainless steel clamp ring

specification:
- vertical outlet
- temporary blanking plate

material:
polypropylene, UV-stabilized