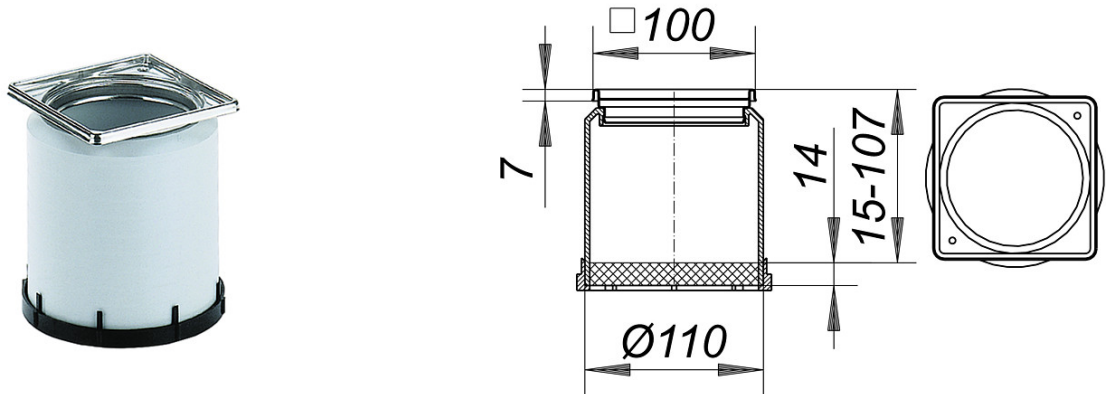


02. November 2017

frame ECS 10, 304 stainless steel, 100 x 100 mm

Product Number: **495211**
EAN: 4001636495211
Discount group: 3



used with floor drain types 40, 42 and 46, balcony drain body types 83 and 84
frame 304 or 316Ti stainless steel, 100 x 100 mm, with threaded inserts,
spigot polypropylene, extendable with DN 100 plastic pipe