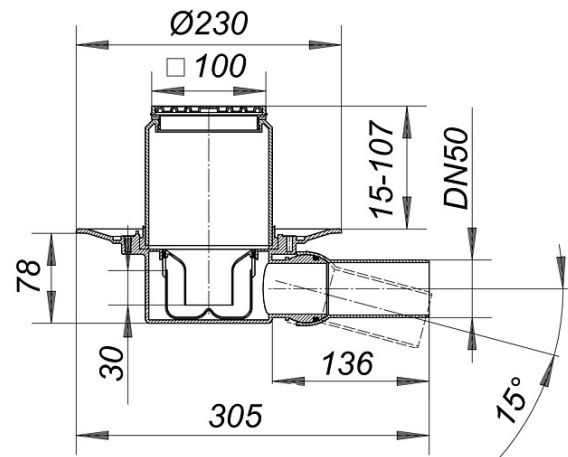


01. November 2017

DALLMER**floor drain 42 E, DN 50, 100 x 100 mm**

Product Number: **420107**
 EAN: 4001636420107
 Discount group: 3



outlet DN 50 horizontal, with ball-joint, adjustable 0 – 15 degrees

specification:

- height adjustable grating type E 10
- removable trap insert, 30 mm water seal
- temporary blanking plate

material:

polypropylene
 frame ABS, 100 x 100 mm, grate 304 stainless steel, load class K 3 (300 kg)

The outlet connector can be supplied in ABS to suit British Standard sizes and PE-HD conforming to DIN EN 1519. Please enquire.

Flow rate tested to DIN EN 1253 Tab. 3,
 (with 20 mm water over cover plate), conforming to DIN EN 274

	Norm	DALLMER
DN 50	0.4 l/s	0.62 l/s