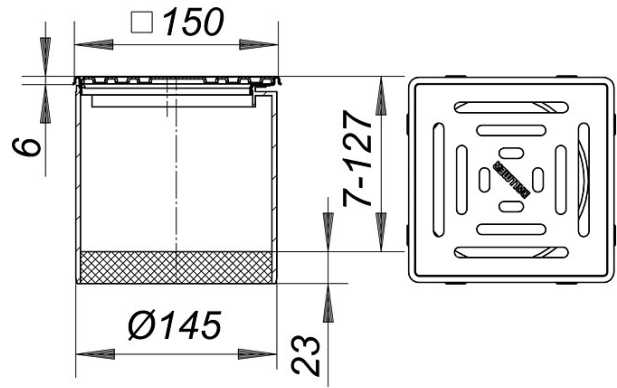


02. November 2017

grating VEC 15, laterally adjustable, 150 x 150 mm

Product Number: **500151**
EAN: 4001636500151
Discount group: 3



used with floor drains type 54, 55, 57, 58, 61 and 61/1
spigot polypropylene, frame 304 stainless steel, 150 x 150 mm, +/- 15 mm lateral adjustment

grate 304 stainless steel, load class K 3 (300 kg)